

Industrial Contacting Conductivity Sensors



Heavy duty electrodes for boiler applications

Available with ATC for most makes and models of conductivity transmitters or controllers

0.1, 1.0 and 10.0 cell constants available (see details below)

Extended length version for mounting in cross

Sensorex manufactures a quality line of industrial grade conductivity electrodes for submersion or in-line mounting. All electrodes are constructed with stainless steel bodies and pins (316SS) and PEEK insulators. As an added option, automatic temperature compensation is available. Model CS650TC is well suited for ultra-pure water applications while CS675HTTC and CS676HTTC are well suited for boiler applications. All "HTTC" models are supplied with 6" PTFE coated wires for customer convenience.

Specifications

Wetted Materials

CS650 Series: 1/2" NPT stainless steel 316 body and pins, PEEK insulator, aflas O-rings

CS675, CS676 3/4" NPT stainless steel 316 body and pins, Series: PEEK insulator, Ethylene Propylene O-rings

Cell Constants

CS650 models: 0.1 and 1.0 only

CS675, CS676 models: 0.1, 1.0 and 10.0

Wire Leads

CS650, CS675, CS76 "TC" or "HP" or "HPTC" models: PVC jacketed 4-conductor cable

CS650, CS675, CS76 "HTTC" models: 6" PTFE coated wire (or ETFE jacketed cable - contact factory)

Wire Designations (PVC Jacketed or PTFE Coated)

Red = Body

Black = Center pin

Grn/wht = Temperature

Wire Designations (ETFE Jacketed-HTTC with cable)

White = Body

Blue = Center pin

Grn/Orange = Temperature

Temperature/Pressure Ratings

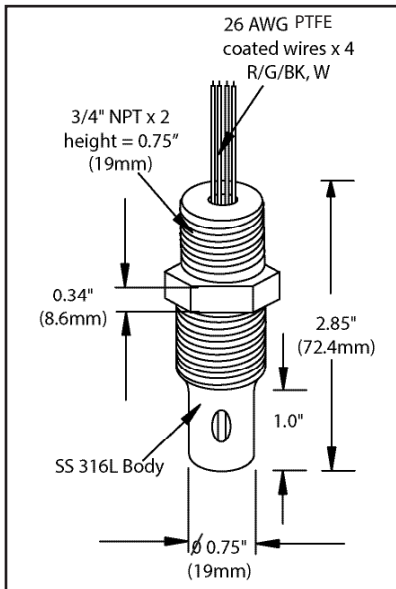
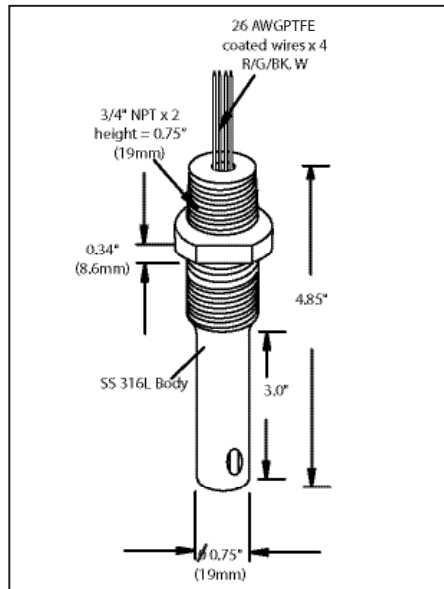
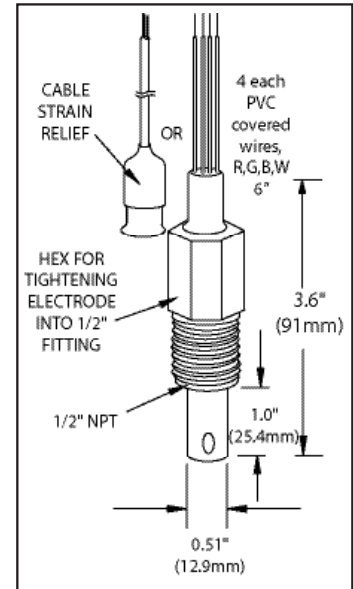
Model#	Temp. Max.	Pressure Max.
CS650TC	100C**	200 psig
CS675/TC	100C**	250 psig
CS675HT/HTTC	200C	250 psig
CS676/TC	100C**	250 psig
CS676HT/HTTC	200C	250 psig
CS675HP/HPTC	100C**	300 psig
CS676HP/HPTC	100 C**	300 psig

Note: ** 70C for NTC (thermistor temperature sensors)

Parts covered by this product data sheet include:

CS650, CS650TC, CS675, CS675HP, CS675HPTC, CS675HT, CS675TC, CS675HTTC, CS676, CS676HP, CS676HPTC, CS676TC, CS676HT CS676HTTC

Industrial Contacting Conductivity Sensors

CS675TC, CS675HTTC

**CS676TC, CS676HTTC,
CS676HPTC**

CS650TC


Ordering Information

Model Number	Description	Specify
CS650TC	316SS conductivity sensor with 1/2" NPT	cell constant (k), TC
CS675TC	316SS conductivity sensor with 3/4" NPT	cell constant (k), TC
CS675HTTC	High Temp 316SS conductivity sensor with 3/4" NPT	cell constant (k), TC
CS675HT	High Temp 316SS conductivity sensor with 3/4" NPT	cell constant (k) only
CS676TC	Extended Length 316SS conductivity sensor, 3/4" NPT	cell constant (k), TC
CS676HTTC	High temp, ext length 316SS conductivity sensor 3/4" NPT	cell constant (k), TC
CS676HP	High temp, ext length 316SS conductivity sensor 3/4" NPT	cell constant (k) only
CS675HPTC	High pressure 316SS conductivity sensor 3/4" NPT	cell constant (k), TC
CS676HP	Extended Length 316SS conductivity sensor, 3/4" NPT	cell constant (k) only
CS676HPTC	Extended Length 316SS conductivity sensor, 3/4" NPT	cell constant (k), TC